

Indianapolis Power & Light Company

Electric Service and Meter Manual

The Electric Service & Meter Manual is not copyrighted and permission is hereby given to reproduce this document. However, the Indianapolis Power & Light Company takes no responsibility for out of date copies of the Electric Service & Meter Manual that are in use.

Written by:

W. W. Whitworth, *Chairman*

C. K. Eldridge, *Secretary*

R. J. Gray

M. J. Kuehn

D. D. Lufcy

R. R. Manion

K. R. Reid

K. L. Walker

T. J. Wroblewski

TABLE OF CONTENTS

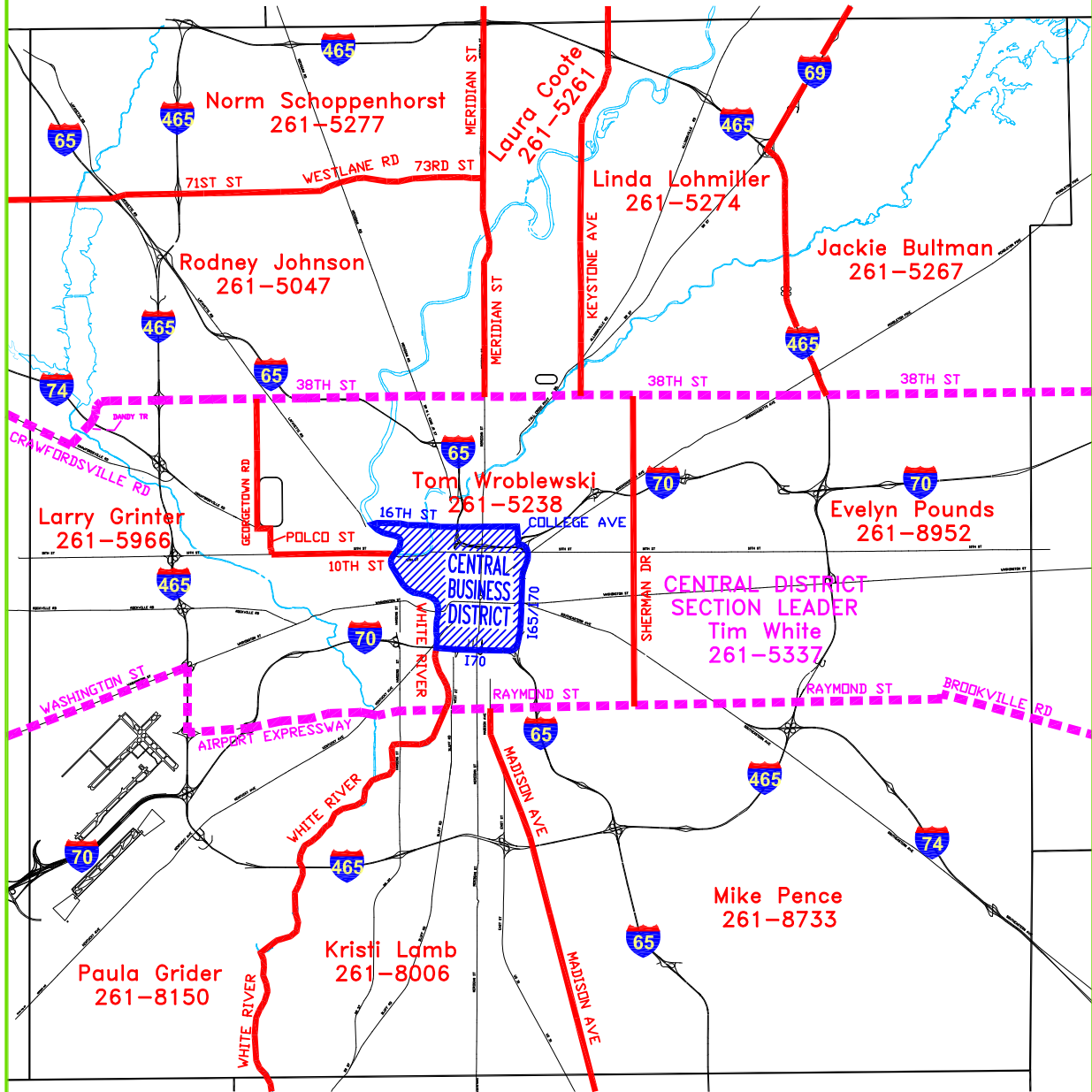
	DRAWING NUMBER
<u>INTRODUCTORY INFORMATION</u>	
Important Notices	GB0-010
Underground Plant Protection Information	GB0-020
Commercial/Industrial Information Sheet	GB0-030
Work Management	GB0-040
Customer Projects Engineering District Map	GB0-100
Network Engineering District Map	GB0-110
Account Management Executives	GB0-120
Meter Installations District Map	GB0-130
Construction and Maintenance District Map	GB0-140
Residential Service and Small Commercial (Non-CT Metered) Installations	GB0-160
Street Lighting District Map	GB0-170
Tree Trimming Work Areas	GB0-180
<u>PART 1 GENERAL</u>	SECTION
Application for Service	100
Inspection for Electric Service	102
Right to Refuse of Discontinue Service	103
Types of Service Available	105
Temporary Service	107
Rate Considerations	110
Fault Current Levels for the Selection of PPE	112
Maintaining Security of Locked Facilities	114
Termination of Service on Building	115
Converting from Residential Overhead to Underground Service	117
Relocating the Residential Service Point or Cable	118
Overhead Service	120
Height of Service Drop	125
Length of Service Drop	130
Extension of Lines	135
Easement / Rights-of-Way / Tree Trimming	140
Automatic Reclosing Equipment	145
Single Phase Protection	147
Phase Reversal Protection	148
Alterations - Changes in Size of Service	150
Number of Services	160
Master Metering	162
Maximum Size Secondary Overcurrent Device	165
Fire Pump Installations	170
Distributed Generation	175
Duplicate Facilities	176
Interconnecting Secondary Multiple Services	177
Foreign Attachments	180
Easement Encroachments	181
Customer Grounds	182
Service Demand	185
Area Separation (Fire) Walls	190

200A Meter Fitting Installed After Main Service Equipment Network Installation Only 277/480 Volt, 1 Phase, 3 Wire 125A Maximum Service	GB1-075
200A Meter Fitting Underground Installation 120/240 Volt, 1 Phase, 3 Wire 225A Maximum Service	GB1-080
200A Meter Fitting, 2, 3 or 4 Gang Underground Installation 120/240 Volt, 1 Phase, 3 Wire 225A Maximum Service Per Position	GB1-090
320A Meter Fitting Underground Installation 120/240 Volt, 1 Phase, 3 Wire 250A to 400A Service	GB1-100
Residential Outdoor Metering (Single Family Dwelling Only) Underground Installation 120/240 Volt, 1 Phase, 3 Wire 450A to 800A Service	GB1-110
Commercial Outdoor Metering Underground Installation 120/240 Volt, 1 Phase, 3 Wire 450A to 800A Service	GB1-120
Residential Outdoor Metering (Single Family Dwelling Only) Underground Installation 120/240 Volt, 1 Phase, 3 Wire 850A to 1600A Service	GB1-121
200A Single Phase Residential Services 125A Single Phase Commercial Services Underground Installation 120/208 Volt, 1 Phase, 3 Wire 200A Maximum Service	GB1-130
200A Meter Fitting (Installed After Main Service Equipment) Underground Installation 120/208 Volt, 1 Phase, 3 Wire 200A Maximum Service	GB1-140



**NORTH DISTRICT
SECTION LEADER
Dan Davenport
261-5497**

**Special Projects
Cindy Kiesel
261-5108**



**Larry Grinter
261-5966**

**Rodney Johnson
261-5047**

**Norm Schoppenhorst
261-5277**

**Laura Coote
261-5261**

**Linda Lohmiller
261-5274**

**Jackie Bultman
261-5267**

**Tom Wroblewski
261-5238**

**Evelyn Pounds
261-8952**

**CENTRAL DISTRICT
SECTION LEADER
Tim White
261-5337**

**Paula Grider
261-8150**

**Kristi Lamb
261-8006**

**Mike Pence
261-8733**

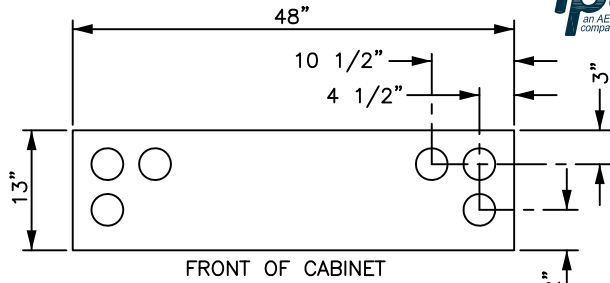
**SOUTH DISTRICT
SECTION LEADER
Tim White
261-5337**

MAJOR OVERHEAD PROJECTS SECTION LEADER Casey Shull 261-6564	
Jim Disman	261-6578
Jim Duvall	261-8694
Bob Stephens	261-8085
Terry Short	261-8732
Steve Bullock	261-6527
Jared Heltsley	261-5237

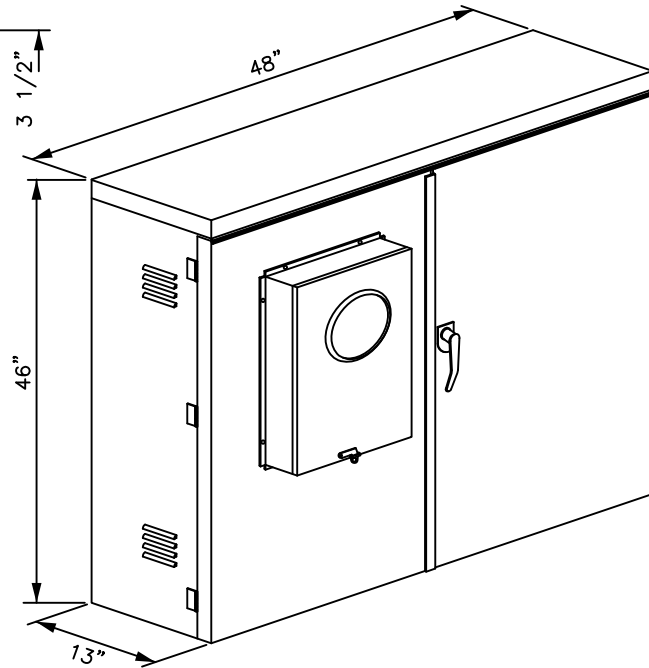
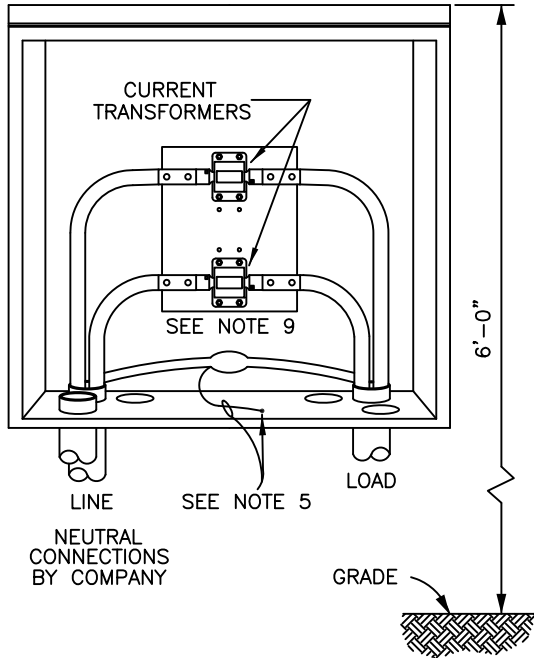
MAJOR UNDERGROUND PROJECTS
**For Central Business District
please refer to drawing GB0-110.**

NOTE:
EMAIL ADDRESS FORMAT IS
firstname.lastname@aes.com

CUSTOMER PROJECTS ENGINEERING DISTRICT MAP



FRONT OF CABINET



METER CABINET WITH FITTING STOCK #4008-131 FURNISHED BY THE COMPANY AND INSTALLED BY THE CONTRACTOR.

NOTES:

1. LINE AND LOAD CONDUITS MAY BE REVERSED TO SUIT CONDITIONS.
2. CONDUITS SHALL NOT ENTER BACK OF METER CABINET. USE KNOCKOUT IN BOTTOM OF METER CABINET ADJACENT TO SIDES. LOAD CONDUITS MAY EXIT FROM THE LOAD SIDE IN LOWER 24" OF THE METER CABINET IF APPROVED BY THE COMPANY.
3. 2-4" LINE CONDUITS ARE REQUIRED FOR SERVICES OF 600A AND ABOVE.
4. METERING TRANSFORMERS FURNISHED BY COMPANY, INSTALLED BY CONTRACTOR.
5. BONDING LUG AND JUMPER PROVIDED AND INSTALLED BY CONTRACTOR.
6. CUSTOMER TO FURNISH AND INSTALL PROTECTIVE POSTS, AS APPROVED BY COMPANY, WHEN EXPOSED TO VEHICULAR TRAFFIC.
7. MINIMUM 4" RIGID METALLIC CONDUIT OR GRAY SCHEDULE 80 PVC INSTALLED BY CONTRACTOR.
8. ALL CONDUIT SHALL HAVE A BUSHING FOR COMPANY CABLE, IF METALLIC CONDUIT, THE INSULATED GROUNDING BUSHING SHALL BE U.L. LISTED AND BOND WIRE INSULATED.
9. MOUNT THE TWO (2) CURRENT TRANSFORMERS ON THE TOP AND BOTTOM MOUNTING STUDS, LEAVING THE MIDDLE MOUNTING OPEN.
10. METER CABINET SHALL BE TRUCK ACCESSIBLE. IF EXPOSED TO VEHICULAR TRAFFIC CUSTOMER SHALL PROVIDE AND INSTALL PROTECTIVE POSTS, AS APPROVED BY THE COMPANY.

**COMMERCIAL OUTDOOR METERING
UNDERGROUND INSTALLATION
120/240 VOLT, 1 PHASE, 3 WIRE
▶ 450A TO 800A SERVICE**